



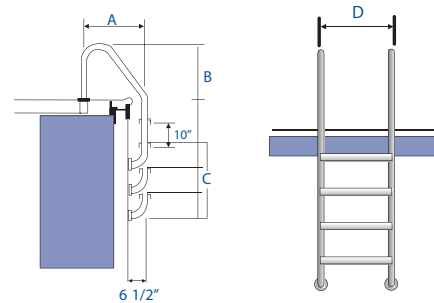
Features

- Stainless Steel tubing 1.9" diameter and 0.049 thickness

2,3 AND 4 STEP LADDERS

Part Number	Descripción	A	B	C	D
115501	2 STEP LADDER	24"	23"	26"	20"
115502	3 STEP LADDER	24"	23"	36"	20"
115503	4 STEP LADDER	24"	23"	46"	20"

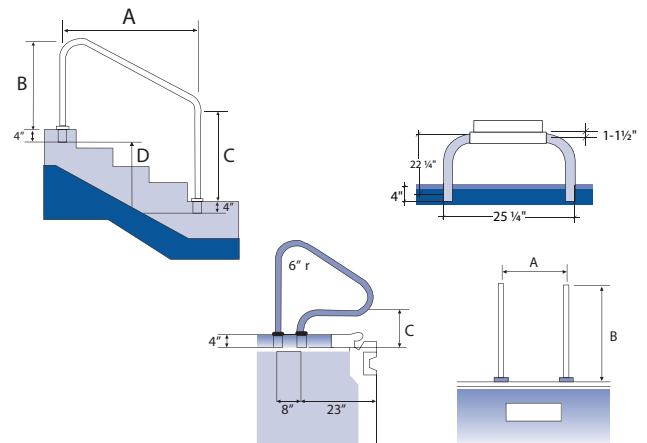
* Ladders include anchors and flanges.



2 BEND HANDRAILS 60" AND 72"

Part Number	Description	A	B	C	D
115511	SINGLE POOL HANDRAIL	60"	32"	33"	36"
115512	SINGLE POOL HANDRAIL	72"	32"	33"	46"

* Note: Custom sizes are available



RAILS FOR STEPS AND BASE FOR DIVING BOARDS

Part Number	Description	A	B	C
115510	HANDRAILS FOR WALL-MOUNTED STEPS	20"	32"	12"
115515	STAINLESS STEEL BASE FOR DIVING BOARD	18"		